



# WF 3169

## C Series Battery Stack Monitor Module

The WF 3169 from WireFlow is a battery monitoring device that includes an ADC and a high voltage input multiplexer. The module can measure up to 24 series-connected cells with a voltage up to 5V per cell.

The module measurement circuit is galvanically isolated from the earth ground and provides up to 1000 VDC channel-to-earth ground isolation, making the module ideal for accurately monitoring large battery stacks. By using several WF 3169 modules it is possible to monitor every cell in a long string of series-connected cells



## Application areas

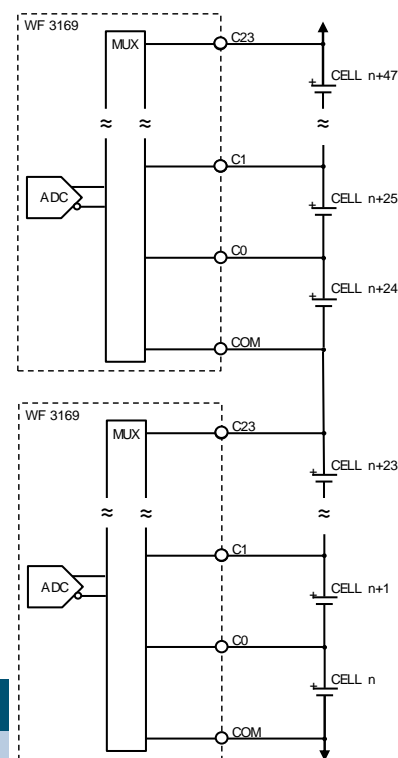
- Battery testing
- Battery Management System
- Electric and Hybrid Electric Vehicles
- High Power Portable Equipment
- Energy Storage Packs

## Features

- Measures up to 24 battery cells in series
- Stackable architecture
- Supports multiple battery chemistries, such as 3.2V LiFePO4 and 3.7V Li-ion
- Galvanically isolated from earth ground
- 1000 VDC ch-earth isolation
- Also for negative grounding systems

## Specifications

Cell Voltage Range	5 V
Resolution	0.1 mV
Accuracy, typical	± 0.2 mV @ 3.3 V
Max sampling rate	235 Hz
Operating temperature	-40 °C to 70 °C
Ch-Earth Isolation	1000 VDC



WireFlow AB

Theres Svenssons gata 10  
 SE-417 55 Göteborg  
 Sweden

www.wireflow.se

WF 3169 Data Sheet  
 AB0005-097, rev A